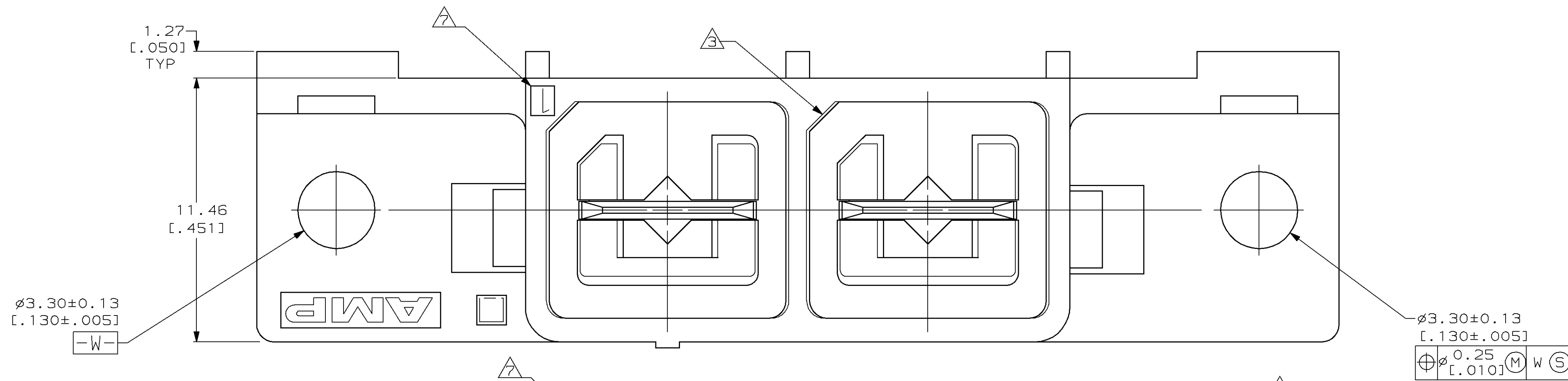
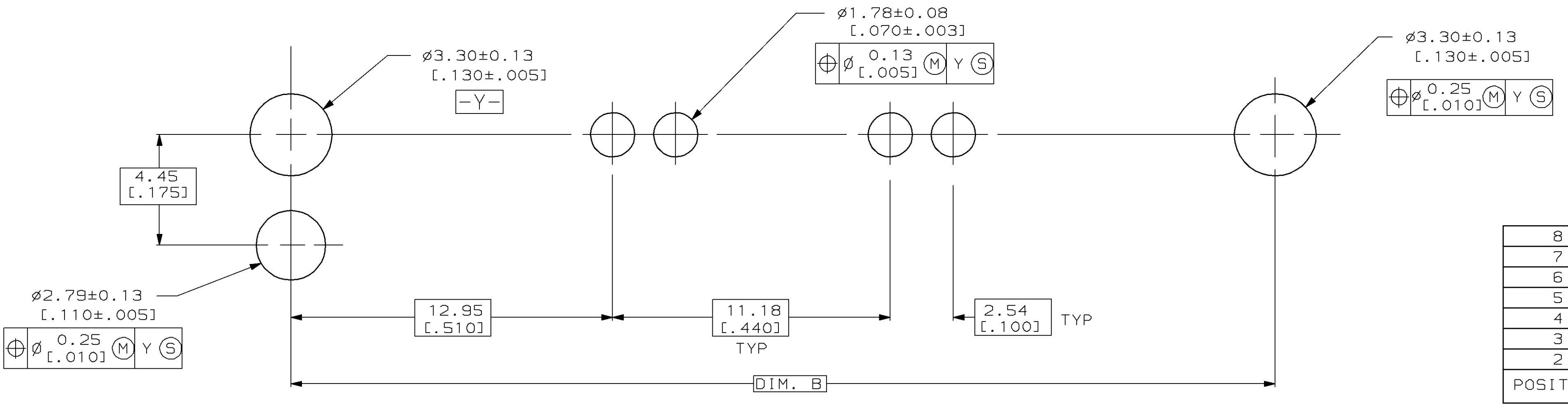
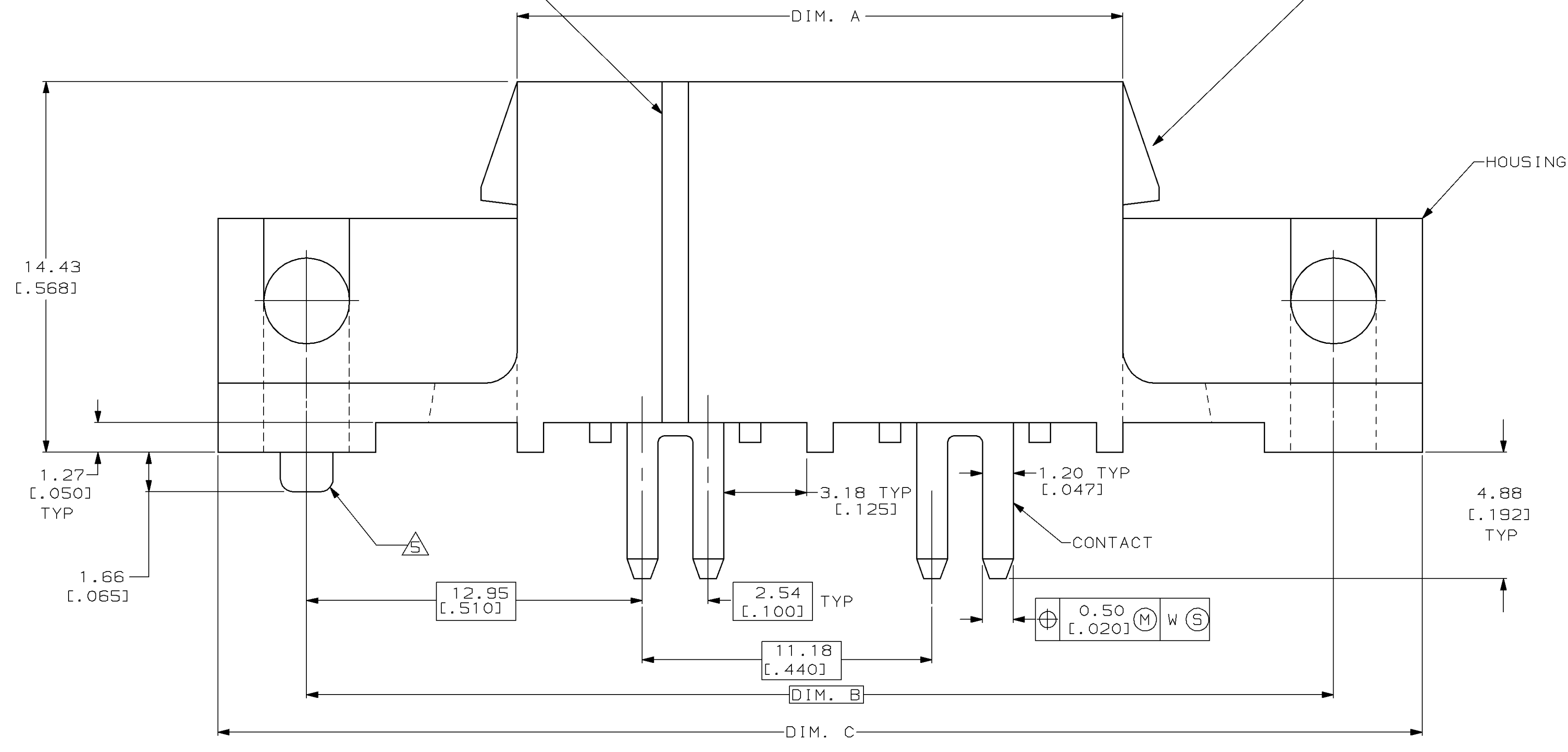


LOC		DIST		REVISIONS				
FT	60	P	LTR	DESCRIPTION	DATE	DWN	APVD	
		C		REV; EC 0502-0410-96	30 JAN 97	DS	DK	
		D		REV PER EC 0320-68-97	06 MAR 97	MB	MM	



- 1 MATERIAL: HOUSING-POLYPHTHALAMINE, BLACK, 94V-0.
CONTACT- 2.54µm [.000100] MINIMUM TIN PLATED COPPER.
- 2 ALL DIMENSIONS ARE MAXIMUM UNLESS OTHERWISE SPECIFIED.
- 3 POLARIZATION FEATURE TO MATING HOUSING.
- 4 POSITIVE LATCHING OF RECEPTACLE ASSEMBLY TO PLUG HOUSING.
- 5 POLARIZATION FEATURE TO PC BOARD.
- 6 THESE ASSEMBLIES ARE UL RECOGNIZED AND CSA CERTIFIED.
- △ INDICATES POSITION 1.



POSITION	DIM. C	DIM. B	DIM. A	PART NO
8	113.67 [4.475]	106.68 [4.200]	90.56 [3.565]	556881-8
7	102.49 [4.035]	95.50 [3.760]	79.38 [3.125]	-7
6	91.32 [3.595]	84.33 [3.320]	68.20 [2.685]	-6
5	80.14 [3.155]	73.15 [2.880]	57.03 [2.245]	-5
4	68.97 [2.715]	61.98 [2.440]	45.85 [1.805]	-4
3	57.79 [2.275]	50.80 [2.000]	34.68 [1.365]	-3
2	46.61 [1.835]	39.62 [1.560]	23.50 [.925]	556881-2

SUGGESTED PC BOARD HOLE LAYOUT

DIMENSIONS: mm (INCHES)		TOLERANCES UNLESS OTHERWISE SPECIFIED: 0 PLC ± 1 PLC ± 2 PLC ± 3 PLC ± 4 PLC ± ANGLES ±		DWN D. STRAUSSER 5-30-91 CHK B. FOX 9-23-91 APVD M. MILLER 9-28-91		AMP AMP Incorporated Harrisburg, PA 17105-3508	
MATERIAL △		FINISH △		NAME RECEPTACLE ASSEMBLY, VERTICLE, WTB, AMPINNERGY™		SIZE A1 CAGE CODE 00779 DRAWING NO. C-556881	
CUSTOMER DRAWING				WEIGHT -		SCALE 8:1 SHEET 1 OF 1 REV D	